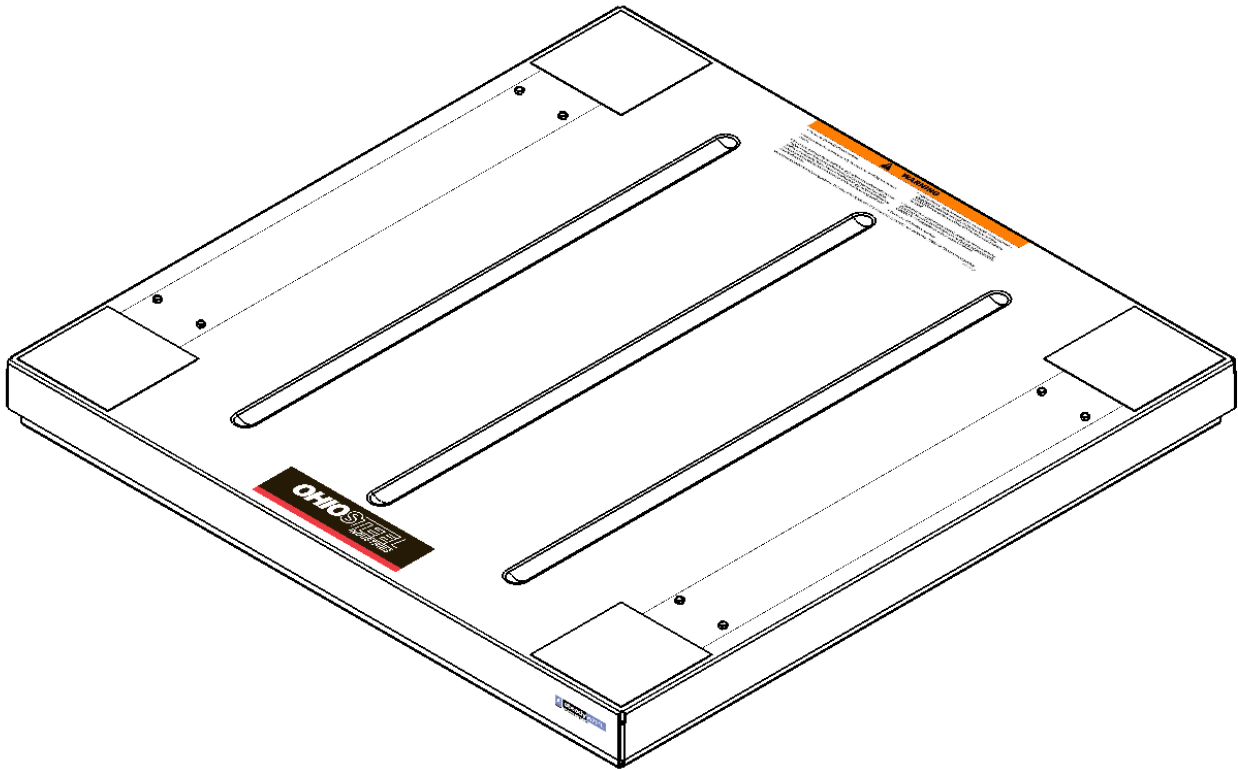




The steadywash™ is designed to reduce through-floor vibrations caused by front loading washing machines during the spin cycle, and is intended for first- and second-floor installations.



User Guide Model #600015

*Manufactured under
U.S. Patent No. 6,220,563
U.S. Patent No. 6,595,483
U.S. Patent No. 7,086,509
and other patents pending*

Congratulations on your purchase of the steadywash™ vibration isolation platform, a product designed especially to solve vibration problems inherent in front loading (horizontal axis) washing machines when they are installed in non-basement locations. At the center of this platform is the a unique vibration isolation technology that converts the energy of vibration into motion, preventing it from being transmitted into the surrounding structure. As a result, you will notice that your washing machine will undergo more motion than when it is resting on the floor, but the motion you observe results from energy that would otherwise be transferred into the floor of the house in form of vibration.

The steadywash™ vibration isolation platform is intended for use in non-basement installations where the user is experiencing problems with vibration from washing machines and dryers. The steadywash™ can reduce these vibrations up to 95% under the majority of loading conditions, and can reduce 'walking' under most conditions. Please note that the platform is intended to reduce vibration, not reduce noise emitted from the machine.

The machine should not be overloaded, as proper distribution of the load during the spin cycle will not occur causing excessive motion.

If excessive motion is encountered or clothing is not dry at the end of the cycle, the washing machine is overloaded. Stop the washing machine and redistribute the clothing inside of the machine. If vibration persists, the washing machine is overloaded and the load should be reduced. Refer to the washing machine instruction manual for loading instructions.

TABLE OF CONTENTS

PLATFORM SAFETY...(P2)
OPERATIONAL NOTES...(P2)

Tools
INSTALLATION REQUIREMENTS...(P3)
Before Installing the steadywash™
Location Requirements

INSTALLATION INSTRUCTIONS...(P4,P5)

Installing the steadywash™
steadywash™ USE...(P5)
WARRANTY...(P5)
TROUBLE SHOOTING...(P6)

steadywash™ SAFETY

Your safety and the safety of others are very important.

For your safety, the information in this manual must be followed to minimize the risk of property damage, personal injury, or loss of life. Always read and obey all safety messages.



This is the safety alert symbol.

This symbol alerts you to potential hazards that can kill or hurt you and others.

All Safety messages will follow the safety alert symbol and either the word "DANGER" or "WARNING".

These words mean:



DANGER

You can be seriously injured or worse if you don't immediately follow instructions.

All safety messages will tell you what the potential hazard is, tell you how to reduce the chance of injury, and tell you what you can happen if the instructions are not followed.



WARNING

You can be seriously injured or worse if you don't follow instructions.

OPERATIONAL NOTES

- The steadywash™ washing machine platform is designed to significantly reduce the amount of vibration that is transmitted into the floor from the machine, but cannot reduce noise produced by the machine itself. See washing machine manual for noise reduction recommendations.
- As vibration is no longer transmitted into the floor and surrounding structure, the vibrations are retained inside the machine causing greater motion. Increased washing machine movement will be observed, especially during the early stages of the spin cycle. Extensive testing has demonstrated no adverse effects of the motion on the washing machine.
- The increased movement of the machine requires that the electrical/water/drain lines must be properly secured to prevent noise from the lines touching the walls or machine. *The use of braided steel supply lines is recommended.* Refer to the Installation Guide for proper installation guidelines.
- Users should take care not to place objects on top of the washing machine during operation, as the motion of the machine on the steadywash™ may cause these items to fall to the floor.

Tools Suggested

Gather the suggested tools before starting installation.

Tools needed

- Level
- Bucket
- Pliers
- Tape Measure

Before Installing steadywash™

IMPORTANT: If your washer and dryer are already installed, they must be uninstalled.

If you need to uninstall your washer or dryer, see the Installation Instructions that came with your model for tools required and steps required for disconnecting and re-connecting the machines.

INSTALLATION REQUIREMENTS



WARNING

Excessive Weight Hazard

Use two or more people to move and uninstall washer / dryer.

Failure to do so can result in back or other injury.

Location Requirements

NOTE:

Follow all manufacturer's suggested Installation requirements in addition to the steadywash™ vibration isolation platform requirements.

Sufficient minimum clearance for front load machines must be available on all sides as indicated. (See Figure 1.)

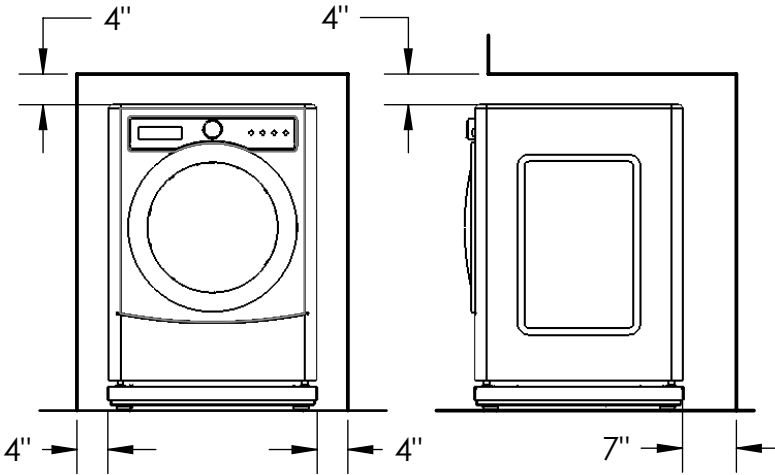


Figure 1.

For top loading machines, ensure that clearance above the open basket door is at least 2" from the top of the door when door is open. (See Figure 2.)

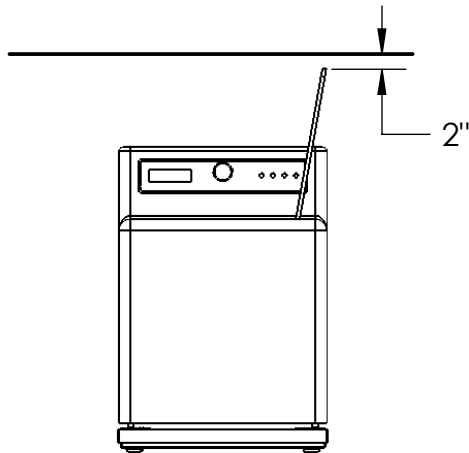


Figure 2.



DANGER

Tipping Hazard Must be permanently connected.

The steadywash™ vibration isolation platform should **not** be used with washing machines **that are not permanently mounted** to a lifting pedestal, with or without a drawer. (See Figure 3.)

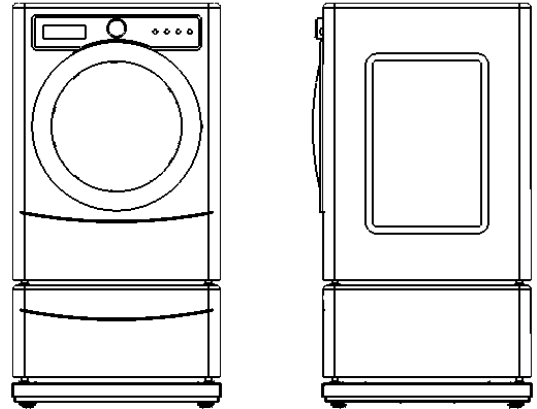


Figure 3.

Must be permanently connected. See pedestal installation instructions for proper installation.



DANGER

Tipping Hazard Must be permanently connected.

The steadywash™ vibration isolation platform should **not** be used with stacked washing machine /dryer combinations unless the manufacturer's recommended stack kit is installed. (See Figure 4.)

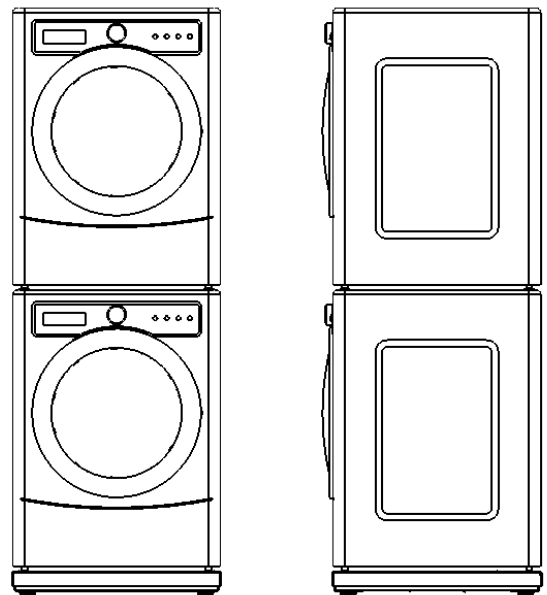


Figure 4.

Must be permanently connected with manufacturer's recommended stack kit.



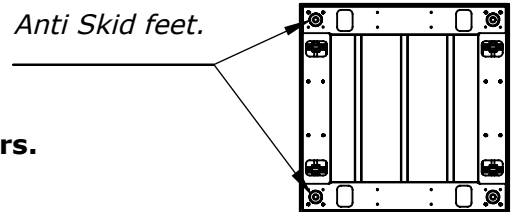
INSTALLATION INSTRUCTIONS

The steadywash™ vibration isolation platform is designed to significantly reduce the amount of vibration that is transmitted into the floor from the machine, and has been sized to fit the majority of front and top loading washing machines. As vibration is no longer transmitted into the floor and surrounding structure, it is expected that there will be more motion of the machine on the steadywash™ during operation since the vibration is retained in the machine. It is critical that proper installation of the machine takes place to prevent extraneous noise during operation, including proper restraint of drain lines and electrical/water supply lines. *The use of braided steel supply lines is recommended.*

Installing the steadywash™

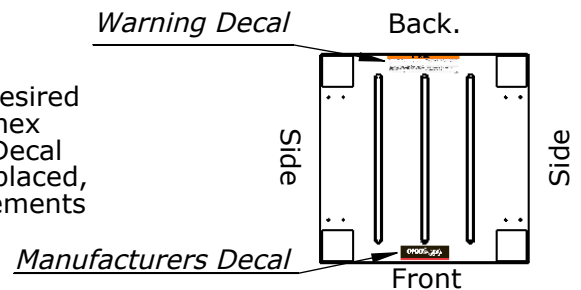
Step 1.

Anti-skid feet can be adjusted to accommodate uneven floors.



Step 2.

Position the steadywash™ vibration isolation platform in the desired location where it will be used oriented with the top mounted hex bolts on the sides of the washing machine / dryer. Warning Decal should be positioned where back of washing machine will be placed, Manufacturer's Decal to the front. Refer to installation requirements page 3 for proper space required.



Step 3. Using two people:

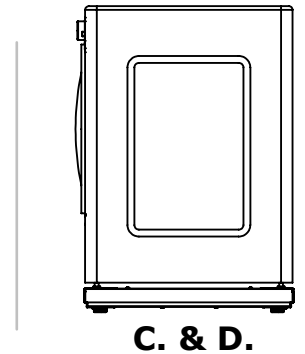
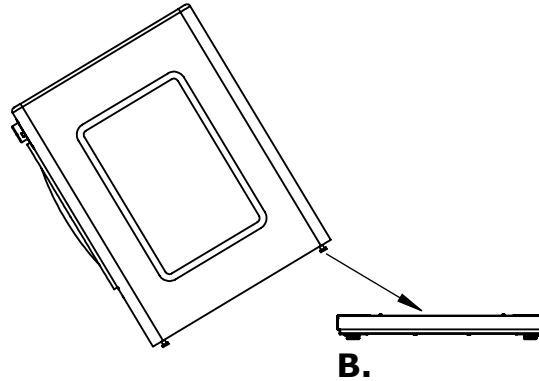
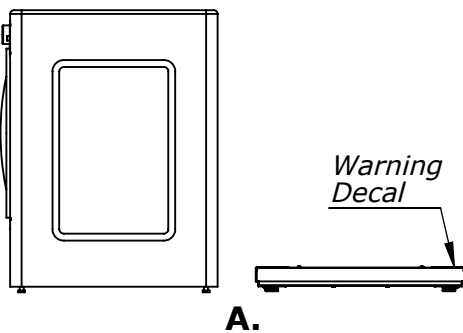
- Position washing machine in front of steadywash™ platform.
- Tilt washing machine back and walk to front of steadywash™.
- To prevent damage/scratching of platform, slowly lower feet on the rear of washing machine onto front of steadywash™ platform.
- Walk washing machine to the rear of the steadywash™ platform, making sure it is centered on steadywash™ platform.



Excessive Weight Hazard

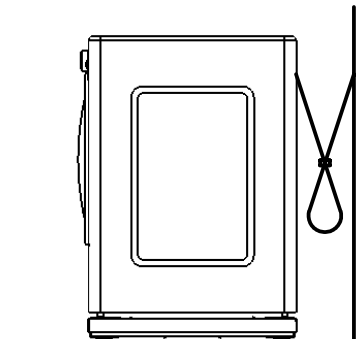
Use two or more people to move washer/dryer.

Failure to do so can result in back or other injury.



Step 4.

Attach the water, drain and electrical supply lines to the machine per the manufacturer's instructions, securing them using a tie wrap or similar device to prevent rubbing against the wall or the machine. *The use of braided steel supply lines is recommended.*



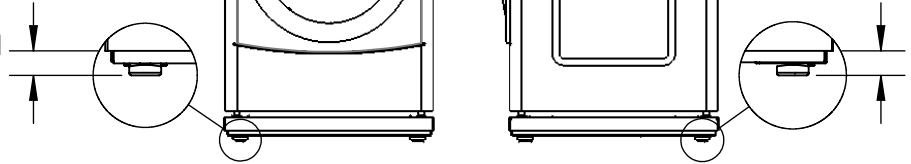
INSTALLATION INSTRUCTIONS

Step 5.

Verify that the floor is flat and level and that the steadywash™ platform base does not rock.

Verify that the gap between the steadywash™ platform top and the floor is uniform on all sides. Maintain the uniform gap.

Verify that the washing machine is centered on the steadywash™ platform.



Maintain uniform gap around entire platform.

Step 6.

Operate the machine to ensure that the motion of the machine does not cause supply hoses or wires to touch the machine or the walls during operation.

Ensure that there is no source of noise through rubbing or contact. *The use of braided steel supply lines is recommended.*

The suspension in your steadywash™ vibration isolation platform is tuned for optimum performance at high spin speeds. As a result, users will notice shuddering or shaking when progressing from low to high spin speeds. This is a normal occurrence and should not cause concern.



Always follow the manufacturers' recommended loading procedures. Failure to do so can result in severe vibration and cause the washing machine to come off the steadywash™ platform

Overloading of the washing machine can cause severe vibration possibly allowing the washing machine to come off the steadywash™ platform. Care should be given to not overload washing machine. Refer to the washing machine instruction manual for loading instructions.

WARRANTY INFORMATION

ONE YEAR LIMITED WARRANTY

When installed, operated and maintained according to all instructions mentioned with this product, if this product fails due to a defect in material or workmanship within one year from the date of purchase, Ohio Steel Industries will at its option repair or replace it free of charge.

This warranty does not cover:

- Repairs necessary because of accident, operator abuse or negligence.
- Equipment use for commercial or rental purposes.
- Damage to equipment when used on non washing machine applications.
- Damage to product resulting from unauthorized modifications made to the product.
- Damage to or failure of this product if not installed and operated according to all instructions supplied with this product.

Ohio Steel Industries, Inc. assumes no liability for property damage or personal injury arising from the misuse of the steadywash™ vibration isolation platform. Washing machines fully loaded should not weigh more than 600 pounds total while being used with the steadywash™ vibration isolation platform. The washing machine should be level and supported on a firm substrate. The steadywash™ vibration isolation platform will not provide vibration isolation for a washing machine that has a severe off-set load, out of balance condition.

Contact 1-800-652-2321 for warranty claims or other concerns or comments.

This warranty gives you specific legal rights, and you may also have other rights, which vary from state to state. This warranty applies only while this product is in use in the United States.

Troubleshooting the steadywash™ vibration isolation platform.

To obtain Customer Service or Information.
Call 1-800-652-2321
Monday - Friday 8 am - 4:30 pm E.S.T.

Symptom:	Cause:	Remedy:
Machine slides on steadywash™ platform.	Machine overloaded and trans-resonance vibration is too great.	Load machine according to manufacturer's specs.
Machine and steadywash™ platform slide on floor.	Floor is excessively slick.	The feet on the steadywash™ platform have been optimized to provide the best performance on a wide variety of floors; platform may move slightly on certain very slick or highly polished floors. Ensure that machine is properly loaded.
Machine demonstrates excessive motion, noise, and/or vibration.	Machine not overloaded: balancing protocol on that run not successful and machine will not go into high speed spin.	Stop machine; redistribute clothes, restart.
	Machine is overloaded.	Remove clothes, reload to manufacturer's specs and restart. Redistribute clothes. Some motion and noise will be noticed for very short periods of time when the machine is speeding up and slowing down on the spin cycle.
Clothes are not fully dry.	Machine is overloaded and cannot go to high speed spin.	Remove clothes, reload to manufacturer's specs. If not overloaded, redistribute clothes, restart.
Knocking noise from inside machine.	Component loose inside of machine or main bearing worn.	Not unusual on some older machines; Seicon / OSI cannot control this. Results from internal tubing or cabling not secured.
Knocking noise from outside machine.	Loose object making contact with machine (hoses, cord, drain line, etc.)	Secure hoses, cords and other surrounding objects away from machine; sometimes detergent tray rattles at certain speeds on some machines. Be sure not to place objects on top of machine.
Machine time remaining display counts up or stops counting down.	Machine's computer recalculating time required to complete cycle.	Not unusual on all makes and model machines. As the machine proceeds through cycle, the machine may be forced to try and balance itself numerous times as a result of a heavy load or overloaded machine. This results in the "time remaining" indicator to either stop or count up. This is a normal occurrence, with or without the steadywash™ platform.